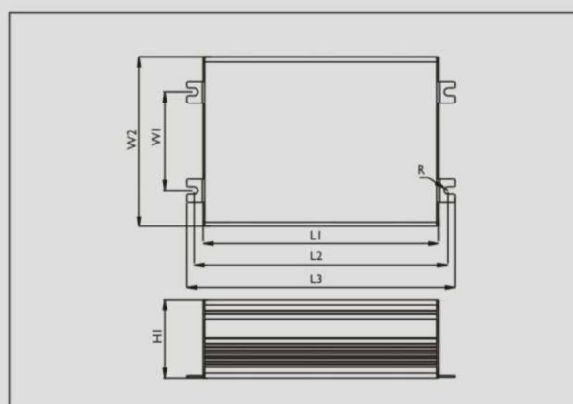
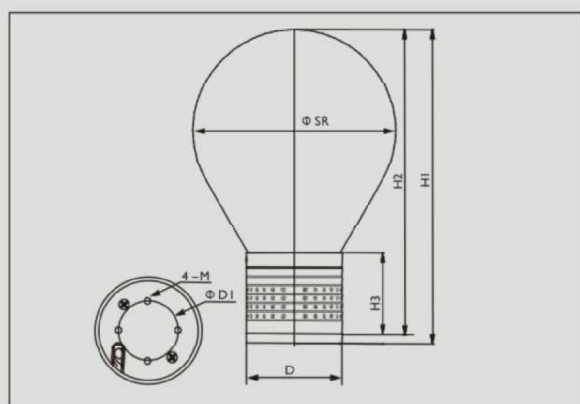


**Electronic Ballast Specifications:**

Product No.	Model No.	Lamp Power (W)	Input Voltage (VAC)	Input Current (A)	Frequency (HZ)	THD	Power Factor	Input Power (W)	Max Case Temperature (C)	UL CUL
BA55	BA55	55	120~277	0.54~0.23	50/60	≦ 10%	≧ 0.95	58	<65	✓
BA85	BA85	85		0.73~0.31				89		
BA100	BA100	100		0.88~0.41				105		
BA165	BA165	165		1.46~0.67				173		
BA200	BA200	200		1.76~0.80				210		

※Note: tolerance of input power ±5%.



**Induction Lamp Dimensions:**

Unit:in.(mm)

Wattage	Dim	55W	85W	100W	165W	200W
Total Height	HI	5.98(151.8)	7.28(184.8)	7.28(184.8)	8.51(216.2)	8.51(216.2)
Bulb Height	H2	5.68(144.3)	7.00(177.8)	7.00(177.8)	8.20(208.2)	8.20(208.2)
Base Height	H3	1.95(49.6)	1.97(50)	1.97(50)	2.46(62.4)	2.46(62.4)
Bulb Diameter	SR	3.66(93)	4.52(115)	4.52(115)	5.52(140)	5.52(140)
Base Diameter	D	2.17(55)	2.17(55)	2.17(55)	2.61(66.4)	2.61(66.4)
Mounting Hole Diameter	M	M4	M4	M4	M4	M4
Mounting Hole Spacing	DI	1.57(40)	1.57(40)	1.57(40)	1.57(40)	1.57(40)

**Electronic Ballast Dimensions:**

Unit:in.(mm)

Model No.	L1	L2	L3	W1	W2	R	HI
BA55-B	6.19(157.3)	6.63(168.3)	6.98(177.3)	2.38(60.5)	4.11(104.5)	010(2.5)	1.89(48)
BA85-B	6.19(157.3)	6.63(168.3)	6.98(177.3)	2.38(60.5)	4.11(104.5)		1.89(48)
BA100-B	6.19(157.3)	6.63(168.3)	6.98(177.3)	2.38(60.5)	4.11(104.5)		1.89(48)
BA165-B	7.44(189)	7.91(201)	8.39(213)	2.76(70)	4.72(120)		2.09(53)
BA200-B	7.44(189)	7.91(201)	8.39(213)	2.76(70)	4.72(120)		2.09(53)

※The above date is subject to change without notice.