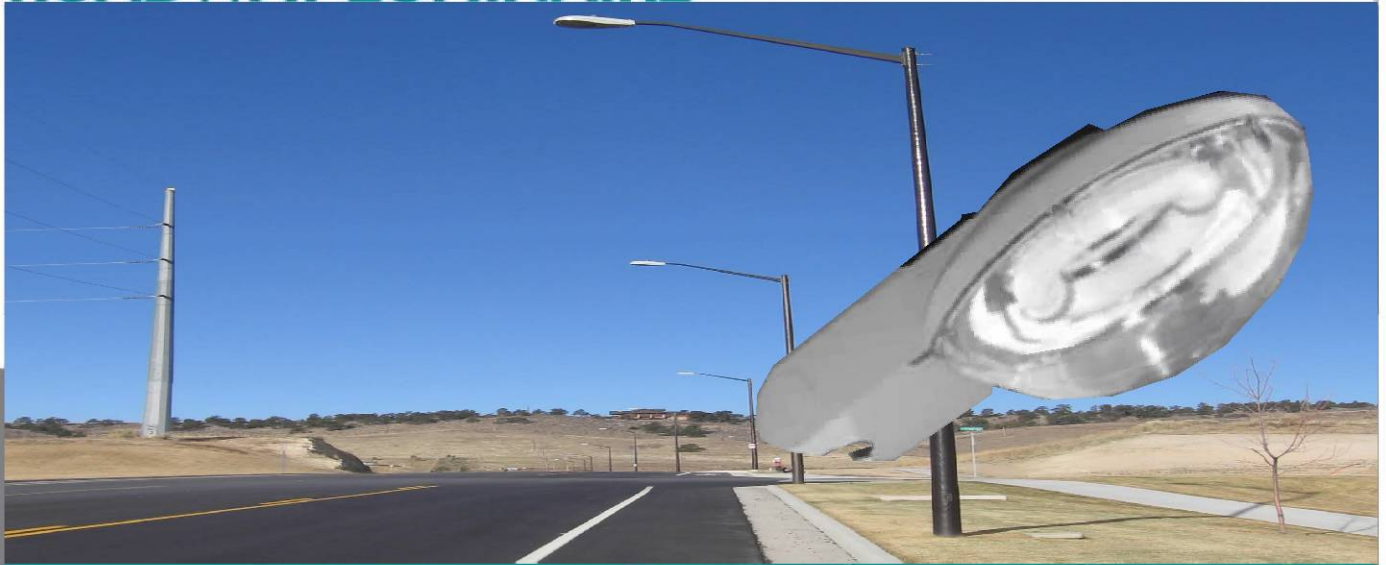


ROADWAY LUMINAIRE



Roadway Round Polycarbonate 150W With Circline

Features:

- High pressure die cast aluminum alloy housing for corrosion resistance.
- High purity aluminum reflector with vacuum coated inner surface.
- Heat-resistant polycarbonate lens designed to optimize light distribution.
- Timer dimming function available upon request.

Lamp and Ballast:

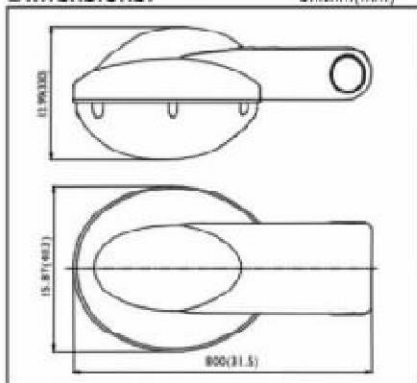
- Miller's 150W round tubular induction lamp features high lighting efficacy, long lifetime, good color rendering, stable output, etc.
- Miller's electronic ballast features high power factor (>0.95), flickering free, low loss, constant output, etc.

Applications:

- Freeway, highway, parking lots, public entrances, off-street areas.

Dimensions:

Unit:in.(mm)



Fixture Specifications:

Product No.	Fixture Model No.	Lamp	Wattage (W)	Voltage (V)	Color Temperature (K)	Ambient Temperature (°C)	Installation	IP class
RL150R	RL150-POLY		150	120~277	5000	-20°C~+40°C	Round Pole Φ60	IP54