

GARAGE LUMINAIRE



PARKING GARAGES CUT LIGHTING ENERGY COSTS BY 50%, PROVIDE PATRONS A BRIGHTER, SAFER ENVIRONMENT WHEN CHANGING FROM METAL HALIDE TO INDUCTION LIGHTING.KH



Features:

- Die cast aluminum housing with powder coated finish for corrosion-resistance.
- UV stabilized polycarbonate lens.
- Separated control gear used to improve heat dispersion and extend lifetime of lighting fixture.

Lamp and ballast:

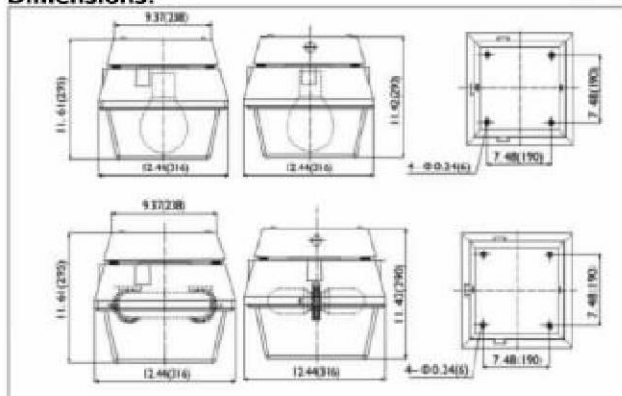
- Miller's 85W ball type or 70W~100W round tubular induction lamp features high lighting efficacy, long lifetime, good color rendering, stable output, etc.
- Miller's electronic ballast features high power factor (>0.95), flickering free, low loss, constant output, etc.

Applications:

- Parking garages, gas stations, warehouse, etc.

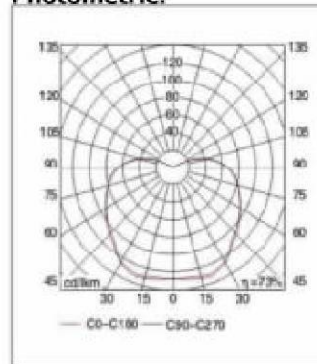


Dimensions:



Remark: Recommended position and diameter of mounting holes are shown above.

Photometric:



Fixture Specifications:

Product No.	Fixture Model No.	Lamp	Wattage (W)	Voltage (V)	Color Temperature (K)	Ambient Temperature (°C)	Installation	IP class	UL CUL
FG85	FG85-GARAGE		85	120~277	5000	-20°C~+40°C	Roof Mount	IP43	✓
FG70	FG70-GARAGE		70						
FG80	FG80-GARAGE		80						
FG100	FG100-GARAGE		100						