

Gas Station

Features:

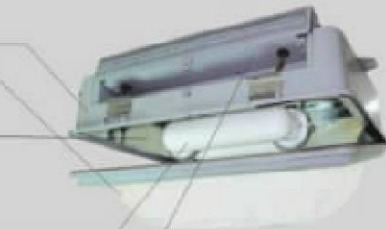
- Die cast aluminum housing with powder coated finish for corrosion-resistance.
- FGAS-100G/150G- Clear tempered glass lens with beautiful contour.
- FGAS-100PC/150PC- UV stabilized and heat resistant polycarbonate lens.
- Separated control gear to improve heat dispersion and extend lifetime of lighting fixture.

Lamp and ballast:

- Miller's 100W~150W square tubular induction lamp features high lighting efficacy, long lifetime, good color rendering, stable output, etc.
- Miller's electronic ballast features high power factor (>0.95), flickering free, low loss, constant output, etc.

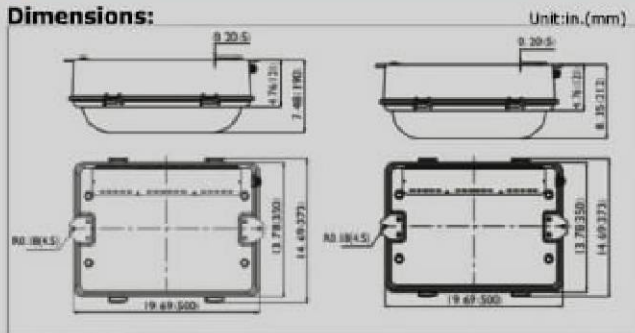
Applications:

- Parking garages, gas stations, schools, shopping malls.

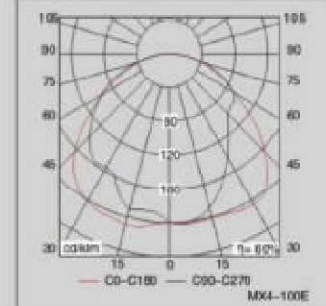


GAS STATIONS / FOOD MARTS PROVIDING BRIGHTER SAFER ENVIRONMENT FOR PATRONS, INCREASE PROFITS, WHILE SAVING ENERGY, GOING FROM 329W M H TO 200W INDUCTION @ CANOPY.KH

Dimensions:



Photometric:



Fixture Specifications:

Product No.	Fixture Model No.	Lamp	Wattage (W)	Voltage (V)	Color Temperature (K)	Ambient Temperature (°C)	Installation	IP class	Note	UL CUL
FGAS70G	FGAS70-GAS		70	120~277	5000	-20°C~+40°C	Roof Mount	IP65	Curve tempered glass lens.	—
FGAS80G	FGAS80-GAS		80							
FGAS100G	FGAS100-GAS		100							
FGAS120G	FGAS120-GAS		120							
FGAS150G	FGAS150-GAS		150							
FGAS70PC	FGAS70PC-GAS		70							
FGAS80PC	FGAS80PC-GAS		80	PC Lens	—					
FGAS100PC	FGAS100PC-GAS		100							
FGAS120PC	FGAS120PC-GAS		120							
FGAS150PC	FGAS150PC-GAS		150							

※ Note: Color Temperature 2720-6500 available upon request.