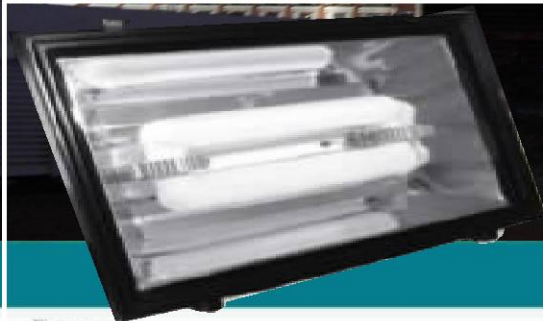


# FLOOD LUMINAIRE



### Features:

- Die cast aluminum housing with black powder coated finish for corrosion-resistance.
- Anodized aluminum reflector and clear tempered glass lens are designed to optimize light distribution.
- Gas-tight silicon rubber seal made for wet locations.
- Separated ballast casing for easy installations.

### Lamp and ballast:

- Miller's 120W,150W square tubular induction lamp features high lighting efficacy, long lifetime, good color rendering, stable output, etc.
- Miller's electronic ballast features high power factor (>0.95), flickering free, low loss, constant output, etc.

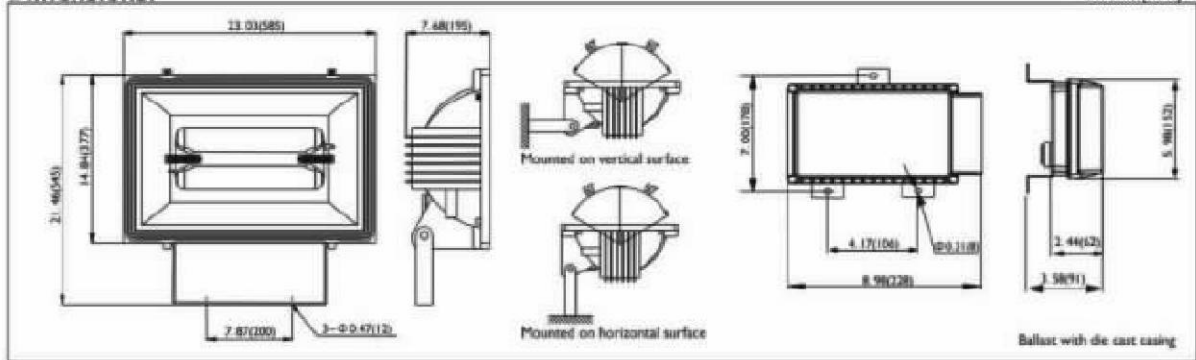
### Applications:

- Billboards, buildings, parks, pools, parking lots, plazas, tennis courts.



### Dimensions:

Unit:in.(mm)



### Fixture Specifications:

Product No.	Fixture Model No.	Lamp	Wattage (W)	Voltage (V)	Color Temperature (K)	Ambient Temperature (°C)	Installation	IP class	Note
FFL120	FFL120-FLD		120	120~277	5000	-20°C~+40°C	Bracket	IP65	Upward
FFL150	FFL150-FLD		150						

※ Note:Color Temperature 2720-6500 available upon request.  
Fixture for downward usage available upon request.