

# ARCHITECTURAL LUMINAIRE

**MILLER**  
O.E.M. SUPPLIES, INC.



**Features:**

- Die cast aluminum housing with powder coated finish for corrosion-resistance.
- Anodized aluminum reflector and prismatic glass lens.
- Gas-tight silicon rubber seal made for wet locations.

**Lamp and ballast:**

- Miller's 85W ball type or 70W~100W square tubular induction lamp features high lighting efficacy, long lifetime, good color rendering, stable output, etc.
- Miller's electronic ballast features high power factor (>0.95), flickering free, low loss, constant output, etc.

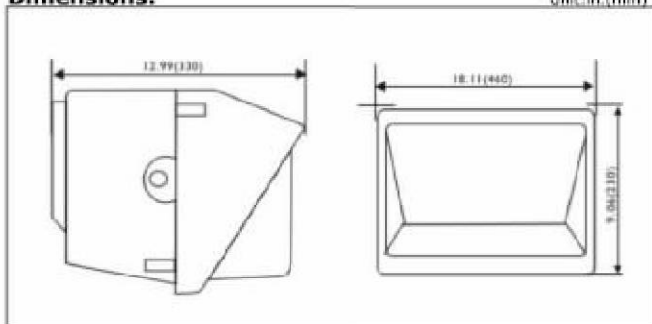


**Applications:**

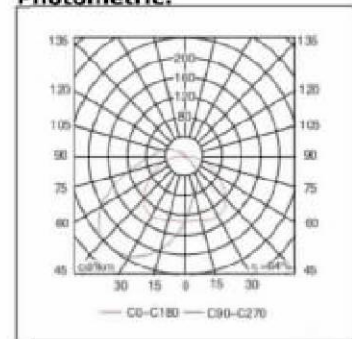
- Parks, shopping malls, outlets, plazas, city halls, historic areas.

**Dimensions:**

Unit:in.(mm)



**Photometric:**



**Fixture Specifications:**

Product No.	Fixture Model No.	Lamp	Wattage (W)	Voltage (V)	Color Temperature (K)	Ambient Temperature (°C)	Installation	IP class	UL CUL	
FWP85	FWP85-ARCH		85						√	
FWP70	FWP70-ARCH		70	120~277	5000	-20°C~+40°C	Vertical Wall	IP54		
FWP85R	FWP85R-ARCH		85							
FWP100	FWP100-ARCH		100							

※ Note: Color Temperature 2720-6500 available upon request.