

## □ Architectural Luminaire

### Features:

- Aluminum alloy housing with grey powder coated finish for corrosion-resistance.
- Anodized aluminum reflector and frost glass lens.

### Lamp and ballast:

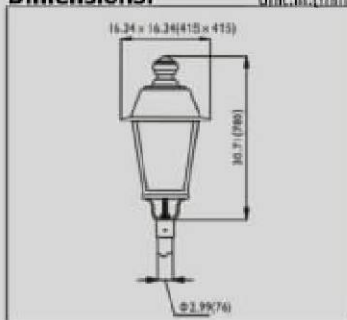
- Miller's 85W ball type induction lamp features high lighting efficacy, long lifetime, good color rendering, stable output, etc.
- Miller's electronic ballast features high power factor (>0.95), flickering free, low loss, constant output, etc.

### Applications:

- Parks, shopping malls, outlets, plazas, city halls, historic areas.



### Dimensions: Unit: in. (mm)



### Fixture Specifications:

Product No.	Fixture Model No.	Lamp	Wattage (W)	Voltage (V)	Color Temperature (K)	Ambient Temperature (°C)	Installation	IP class
FP785 FP885	FP785-A FP885-B		85	120-277	5000	-20°C ~ +40°C	Pole	IP43

ⓘ Note: Color Temperature 2720-6500 available upon request.