

ARCHITECTURAL LUMINAIRE



CAMPUSES CONVERTING POST LIGHTS FROM 250W HPS TO 85W INDUCTION, PROVIDING STUDENTS WITH BRIGHTER, SAFER LIGHTING AND USING TWO-THIRDS LESS ENERGY.KH

Features :

- High pressure aluminum alloy housing with PET coated finish for corrosion-resistance.
- Gas-tight silicon rubber seal made for wet locations.
- Heat resistant polycarbonate lens.

Lamp and ballast:

- Miller's 85W ball type induction lamp features high lighting efficacy, long lifetime, good color rendering, stable output, etc.
- Miller's electronic ballast features high power factor (>0.95), flickering free, low loss, constant output, etc.

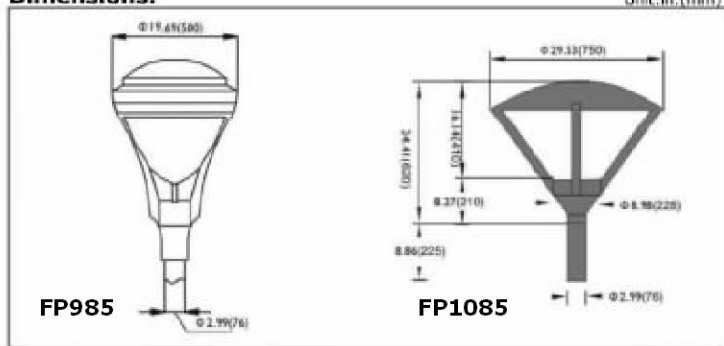
Applications :

- Parks, shopping malls, outlets, plazas, city halls, historic areas.



Dimensions:

Unit: in. (mm)



Fixture Specifications:

Product No.	Fixture Model No.	Lamp	Wattage (W)	Voltage (V)	Color Temperature (K)	Ambient Temperature (° C)	Installation	IP class
FP985	FP985-AR		85	120-277	5000	-20°C~+40°C	Pole	IP54
FP1085	FP1085-AR							IP44

Note: Color Temperature 2720-6500 available upon request.