

□ Architectural Luminaire

Features:

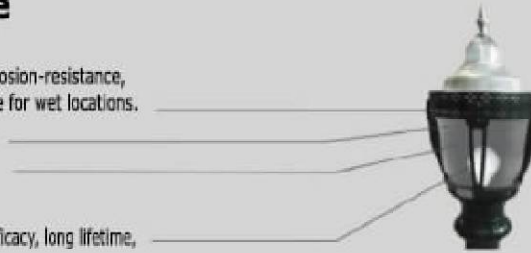
- Aluminum alloy housing with powder coated finish for corrosion-resistance, various colors available. Gas-tight silicon rubber seal made for wet locations.
- Prismatic glass lens.
- Easy for installation and maintenance.

Lamp and ballast:

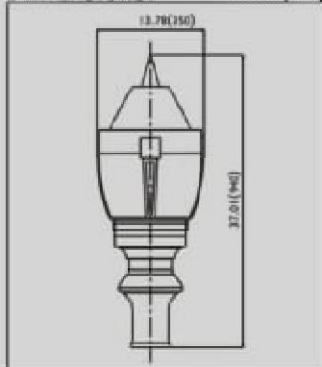
- Miller's 85W ball type induction lamp features high lighting efficacy, long lifetime, good color rendering, stable output, etc.
- Miller's electronic ballast features high power factor (>0.95), flickering free, low loss, constant output, etc.

Applications:

- Park, shopping malls, outlets, plazas, city halls, historic areas.



Dimensions:



Fixture Specifications:

Product No.	Fixture Model No.	Lamp	Wattage (W)	Voltage (V)	Color Temperature (K)	Ambient Temperature (°C)	Installation	IP class
FP1185	FP1185-A		85	120~277	5000	-20°C~+40°C	Pole	IP43

Ⓢ Note: Color Temperature 2700-6500 available upon request.