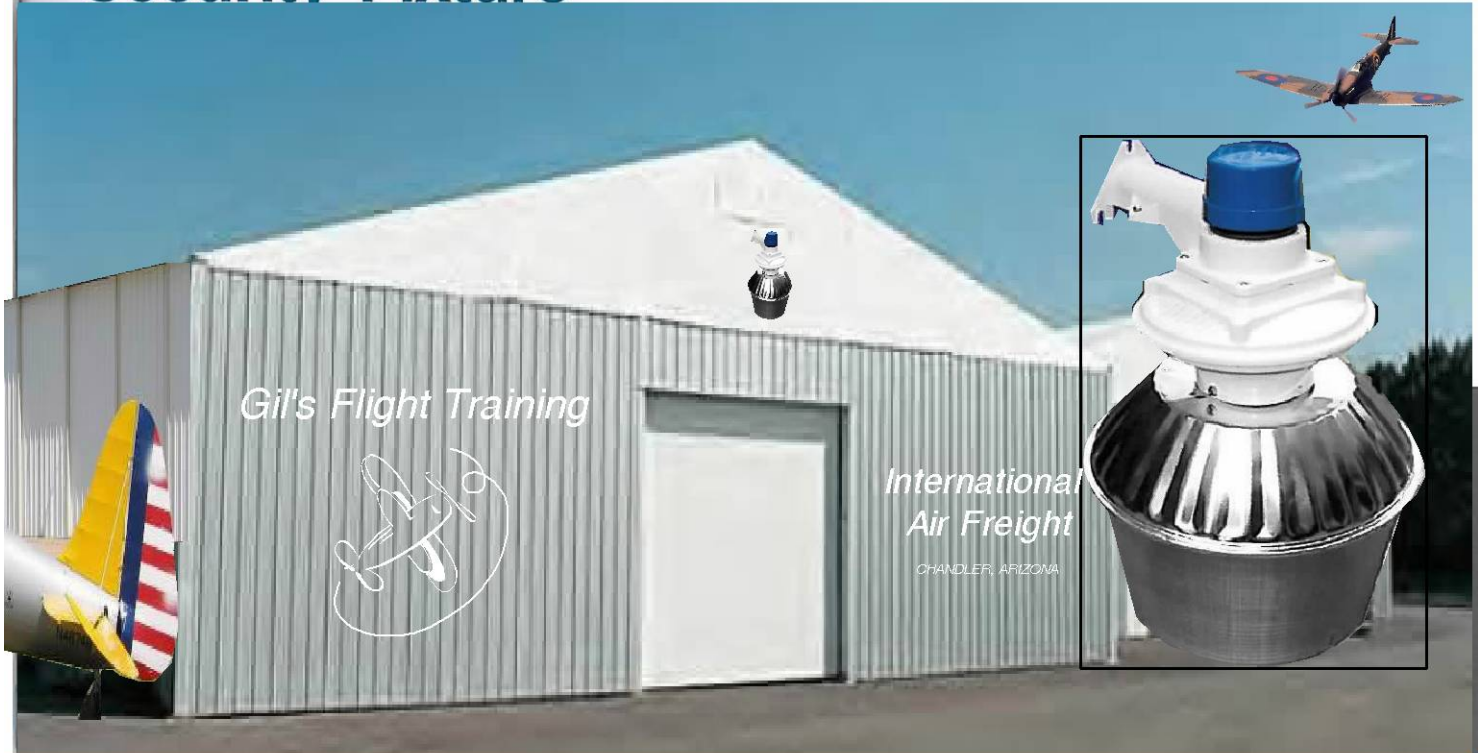


Security Fixture



Security Fixture

Features :

- High-pressure die cast aluminum alloy casing with electrostatic painted surface, corrosion-resistance for durable usage.
- Heat-resistant acrylic hood with beautiful contour and dizzy-free lighting.
- Intelligent infrared sensor

Lamp and ballast:

- 40W ~100W circular induction lamp features high lighting performance

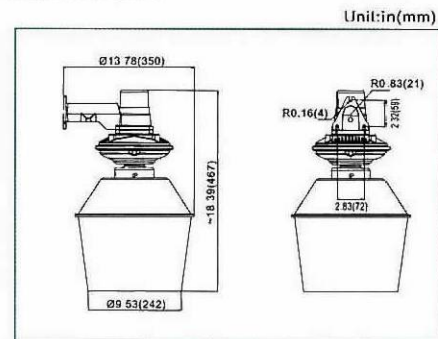
Applications :

- For the floodlighting of roadway, buildings, garden, etc..

Fixture Specifications :

Product No.	Fixture Model No.	Lamp	Wattage (W)	Voltage (V)	Color Temperature (K)	Ambient Temperature (°C)	Installation	IP class
SF40		R 40W	40	120~277	5000*	-20°C~+40°C	Round pole	IP20
SF70		R 70W	70					
SF80		R 80W	80					
SF100		R100W	100					

Dimensions :



*Note:Color Temperature 2720-6500 available upon request.