

FSB200EN Miller Induction ShoeBox Fixture
200Watt 120V/208V/240V/277V

Saves Energy!
Long Life!

200 Watt Shoe Box Fixture

THIS FIXTURE MAY QUALIFY FOR A REBATE FROM YOUR ENERGY PROVIDER!

Featuring Miller Induction Technology
120V /277VAC Multi-Voltage

An Energy Saving Alternative for Metal Halide & HPS

FSB200EN Commonly used to replace: 400W+ (65 CRI) Metal Halide Fixtures



FSB200EN SHOEBOX INDUCTION FIXTURE

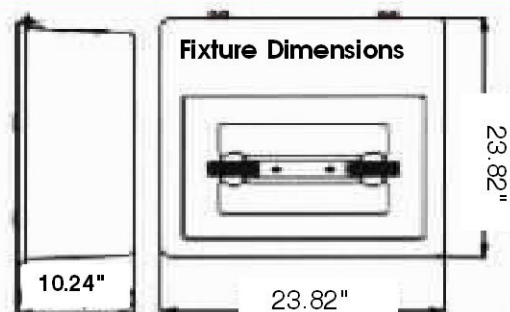
Uses: Shopping Centers, Parking Lots, Malls, Auto Dealerships, Airport Parking, Tennis Courts, Rest Areas, Municipals, Parks & Recreational Areas, Industrial Parks, School Campuses, Trails, etc.,

Specifications:

Wattage: 200 Watts
CRI ≥ 80
Voltage: 120-277 V AC
AMPS : (1.02A 120-277V)
Ta : -20 - +50°C
Tc : +65°C
Kelvin Temperature 5000k

Bronze Color Finish
Efficacy (Lm/W) 80-85
Frequency: 50-60 HZ
Power Factor: ≥ 0.95
THD: $\leq 10\%$
Average lifetime (hrs) 100,000
Warranty 5 years from D.O.P.*

*Subject to factory inspection and satisfaction that product was used as designed and in compliance with manufacturers instructions.



USA & CANADA
1-800-445-6611
FAX 1-800-445-6690



PHOENIX, AZ
Phone: 602-268-0001
Fax: 602-268-0130

www.MillerLightingProducts.com

Customerservice@millerlightingproducts.com